

GE
Critical Power



New



High Reliability & Efficiency

Single phase VH & VCL Series



imagination at work

High Reliability & Efficiency

Single phase VH & VCL Series

New

VH Series

700/1000/1500/2000 VA

Uninterruptible Power Supply (UPS)

GE's VH Series UPS is a true VFI (Voltage and Frequency Independent) on line, double conversion range providing the highest and most secure level of power protection for all business-critical applications. With a tower and/or rackmount design, the UPS adapts to adjusting network configurations as facility load requirements change. Delivering 0.9 output power factor, an MTBF of 730,000 hours and provided with a three year warranty as standard on both UPS and battery, the user can be assured of a high performance, high power and highly reliable level of power protection.

- True Double Conversion VFI (Voltage and Frequency Independent) technology
- Unique Superior Battery Management
- Hot swappable batteries
- Rack and/or tower assembly
- 3 year warranty
- High output power factor

Features & benefits

- **Voltage and Frequency Independent (VFI) double conversion, true on line technology**
Even when the quality of the utility is poor, the UPS will deliver a constant voltage and frequency to the critical load. When the utility fails, the UPS transfers seamlessly to battery.
- **0.9 output power factor**
Delivers more actual power to the load; highly suited for today's power-dense servers and data centers.
- **Easy, fast user battery replacement**
Hot swappable battery replacement. UPS may remain live, supporting the critical load, during the battery replacement period (<1 minute).
- **Tower and/or rackmount, small footprint**
2U high across range to maximise rack space. All assembly parts for tower and rack assembly delivered in packing box.
- **Failsafe bypass**
The fully isolated bypass, designed with a fast and reliable static switch, provides a seamless transition from UPS to bypass if multiple fault conditions (e.g. overtemperature or overload) occur.
- **Superior Battery Management**
Unique 7-level battery management providing protection to the battery and extending the battery life.
- **Matching battery cabinets**
Longer battery life available with the addition of extra battery cabinet(s).
- **Unique high peak load handling**
The VH Series standard design allows the user to support a laser printer type load on the UPS without risking UPS or battery performance.

New

VCL Series

800/1100/2000/3000 VA

Uninterruptible Power Supply (UPS)

GE's VCL Series Uninterruptible Power Supply (UPS) is designed with Automatic Voltage Regulation (AVR) including buck/boost technology, suppressing or boosting the voltage from the utility to provide conditioned power to the attached load. Buck/boost minimizes the need to transfer to battery, maximizing the battery life. When the grid power fails, the battery steps in to continue the supply and allow for enough time to finish the current process before gracefully initiating an automatic shutdown of the load until the utility power returns.

Features & benefits

- **High efficiency**
The VCL Series operates as standard at a >95% reducing both energy and operational costs at site.
- **Hot swappable, user replaceable batteries**
Batteries can be replaced quickly, safely and simply while the load remains connected, eliminating the need to power off a critical load for standard maintenance and with zero risk to the user.
- **Wide input voltage window**
Minimises battery use and extends the life of the battery. Allows the VCL Series to run undisturbed, when other UPS may have already switched to battery then shut down.
- **Voltage Independent technology with Automatic Voltage Regulation (AVR)**
- **Hot swappable batteries**
- **High efficiency**
- **Rack and/or tower assembly**
- **2U rack height**
- **Graphic display**
- **Multiple outlets**
For all ratings; several pieces of equipment can be connected to the VCL Series without adding PDUs or extension strips.
- **Free automatic shutdown software**
GE's Automatic Shutdown Software is delivered with each UPS, allowing for a graceful, controlled shutdown of the connected load in the event of a lengthy mains failure.

Data protection software and connectivity solutions

GE's UPS come standard with two software packages: **UPSMAN** and **RCCMD**.

UPSMAN is a complete protection software providing a graphical interface for monitoring the UPS. It communicates with the UPS via the standard RS232 / USB interfaces or via an optional SNMP plug-in card. In order to avoid data corruption it enables the computer on which it is installed to shutdown gracefully if the UPS is not able to supply the required power. UPSMAN can also act as a "master computer" which can send remote shutdown commands to multiple remote computers/servers in case of a UPS failure. These remote computers/servers, centrally controlled by a computer running UPSMAN, need to run on their turn the light software package named **RCCMD**.

UPSMAN – description

- Data Protection Software
- Supports RS232, USB & SNMP communication
- Free software license
- Written in native language
- Supports most popular OS, including virtualization

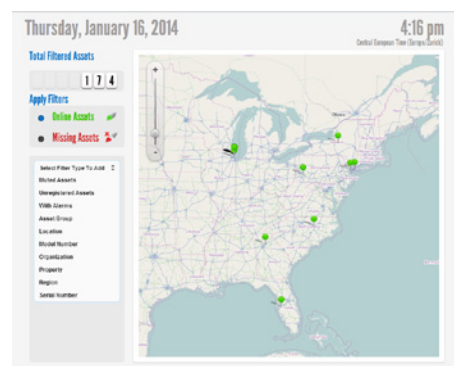
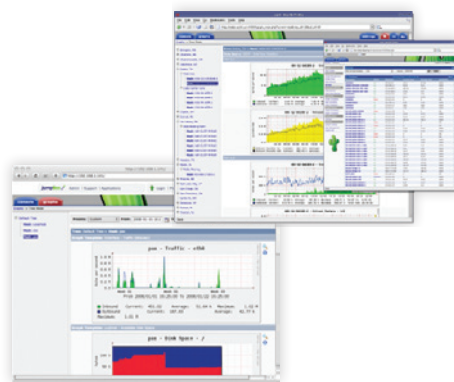
As an alternative for the solution above, with a "master computer" controlling multiple remote computers in a network, the UPS can be equipped with an SNMP card. This card sends the required remote shutdown commands directly to the remote network computers, which again all run the software **RCCMD**.

GE's iUPSGuard is a remote monitoring solution for UPS, providing status monitoring and alarm notification that supports all GE UPS product lines, anytime, anywhere. iUPSGuard provides current and detailed information about UPS operation, including its configuration, internal alarms, automatic reporting and operating conditions over the web.

- Highly secure and efficient data transmission
- SSL encrypted unidirectional communication
- Firewall friendly – no changes required to firewall settings or proxy servers providing easy deployment and addressing compliance objectives
- Supports various communications including IP and GPRS

RCCMD – description

- Light background protection software
- Native solution for more than 35 OS
- React on shutdown commands



Small networks

Electronic point of sale (EPOS)



Servers

CCTV

PCs



VCL Series



Servers

Telecom

Medical



VH Series



Process Control



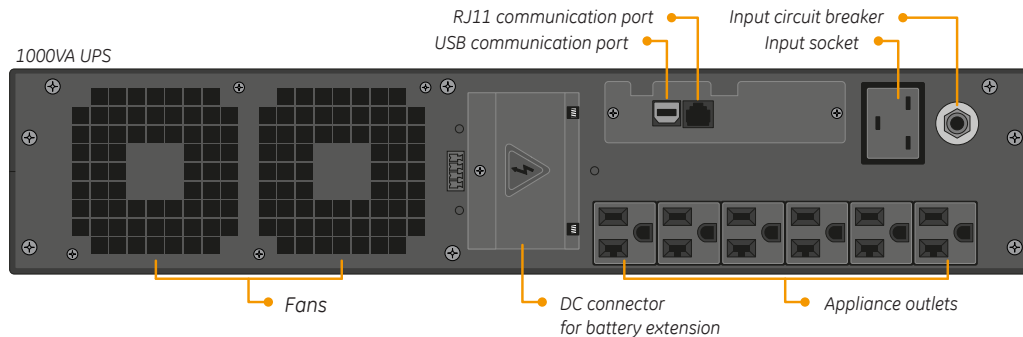
VH Series - Technical specifications

Model	VH700 UL	VH1000 UL	VH1500 UL	VH2000 UL
Rating VA/W	700/630	1000/900	1500/1350	1920/1740
Part number	25510	25511	25512	25513
AC input voltage window	60 - 140 Vac			
Input frequency range	45 - 66 Hz			
AC output voltage	100 / 110 / 115 / 120 / 127 Vac (selectable)			
AC output voltage tolerance	± 2%			
Output frequency	auto-selectable or 50/60 Hz (front selectable)			
Output frequency stability	± 0.15%			
Output wave form	sine wave			
Output power factor	0.9			
Crest factor	6:1			
Output THD	< 2% (typical 1%) with linear load			
Battery type	12V, sealed lead acid, maintenance free			
Number x capacity of battery	3 x 7Ah	3 x 9Ah	6 x 7Ah	6 x 9Ah
Runtime at typical load (75%), minutes	12	12	11	12
Battery recharge time	3 hours for 90% capacity, std. battery			
Input connection	IEC C14	IEC C14	IEC C20	IEC C20
Output connection	4x NEMA 5-20R	6x NEMA 5-20R	6x NEMA 5-20R	6x NEMA 5-20R & 1x L5-20R
Weight	35 Lbs (16 kg)	37 Lbs (17 kg)	64 Lbs (29 kg)	71 Lbs (32 kg)
Dimensions (hwxwd)	3.4 x 17.2 x 18.5 inch (87 x 438 x 470 mm)		3.4 x 17.2 x 21.3 inch (87 x 438 x 540 mm)	
Communication port	USB / RJ11			
Safety	ETL tested to UL1778 Standards			
EMC	EN 62040-2			
Ambient temperature	32 °F to 104 °F (0 °C to 40 °C)			
Maximum relative humidity	95% (non-condensing)			

Option list for VH UPS	Part number
Battery Pack UL 36V 14Ah (VH 700/1000)	25268
Battery Pack UL 72V 14Ah (VH 1500/2000)	25269
SNMP / Web Adapter Card 1-ph (for VH)	1024747
RS232, USB & Relay Card	18802
iUPSGuard 1 yr license	26104

Specifications subject to change without prior notice

Rear panel VH Series



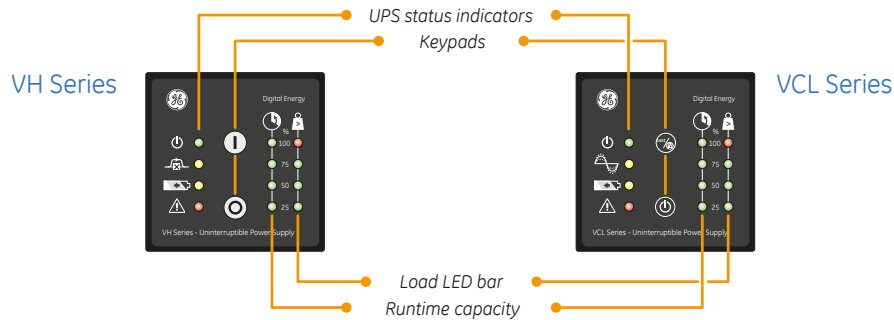
VCL Series - Technical specifications

Model	VCL800 UL	VCL1100 UL	VCL2000 UL	VCL3000 UL
Rating VA/W	800/640	1100/880	1920/1600	2880/2400
Part number	25926	25927	25928	25929
AC input voltage	120 Vac			
AC input voltage, window	90 - 150 Vac			
Frequency	50 / 60 Hz \pm 5 Hz (auto-sensing)			
Power factor	0.8			
AC output voltage	120 Vac			
AC output voltage tolerance (until low battery)	\pm 5%			
Output frequency	50 / 60 Hz \pm 1% (auto-sensing)			
Output frequency stability	$<$ \pm 0.1 Hz (battery operation)			
Output wave form	sine wave			
Crest factor	3:1			
Output THD	$<$ 8% with linear load			
Input connection	NEMA 5-15P		NEMA 5-20P	NEMA L5-30P
Output connection	6 x NEMA 5-15R		6 x NEMA 5-20R	
Runtime at typical load (60%), minutes	8	8	9	9
Weight	30 Lbs (13.5 kg)	33 Lbs (15 kg)	55 Lbs (25 kg)	73 Lbs (33 kg)
Dimensions (hxxwxd)	3.5x17.3x16.0 inch (88x440x405 mm)		3.5x17.3x24.4 inch (88x440x620 mm)	
Safety	ETL tested to UL1778 Standards			
Ambient temperature	32 °F to 104 °F (0 °C to 40 °C)			
Sound at 1 meter	$<$ 55 dB(A), load and temperature dependent			
Maximum relative humidity	95% (non-condensing)			

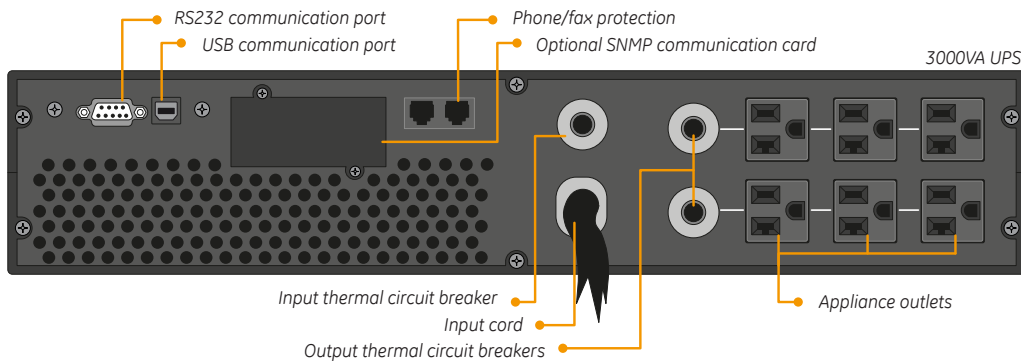
Option list for VCL UPS	Part number
SNMP / Web Adapter Card 1-ph (for VCL)	1024746
iUPSGuard 1 yr license	26104

Specifications subject to change without prior notice

Front panels



Rear panel VCL Series





imagination at work

GE
Critical Power

GEA-D 1057 US UL listed product version Rev. 12/15
1027712 / 151209

*Trademark of General Electric Company.
Copyright 2015 General Electric Company. All Rights Reserved.

GE reserves the right to make changes to specifications of products described at any time without notice and without obligation to notify any person of such changes.